

DATE
February 16, 2004

CATALOG NO.
FARM DUTY 10-4-230-T

OUTLINE DIMENSIONS
SINGLE-PHASE INDUCTION MOTOR

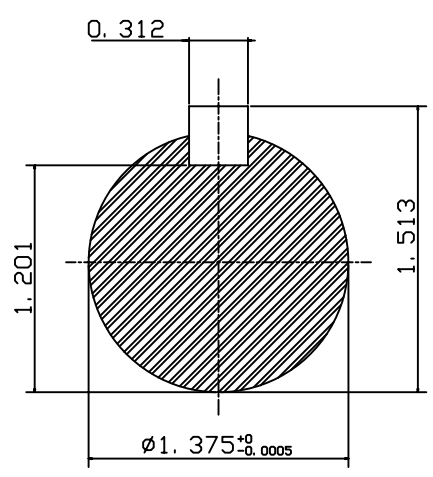
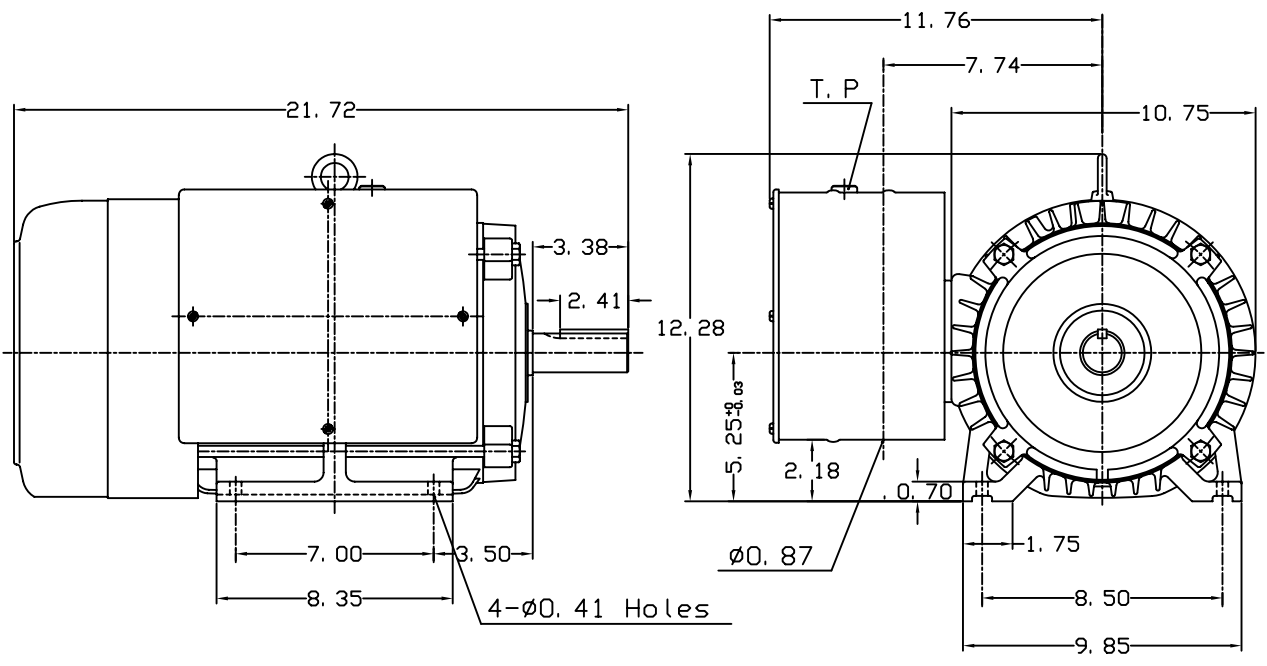
MOTOR TYPE:
FARM DUTY

FRAME NO. 215T

| Pole | HP | KW | Hz | VOLT | Syn. Speed r/min(rpm) |
|------|----|-----|----|------|--------------------------|
| 4 | 10 | 7.5 | 60 | 230 | 1800 |

| Ins | Rating | Dimension in | Approx Weight | Bearings |
|-----|--------|--------------|---------------|------------------------|
| F | CONT. | Inches | 180 lbs. | DE: 6308ZZ NDE: 6306ZZ |

Totally Enclosed Fan Cooled Capacitor-start & Run Type Squirrel-cage Rotor



| | | |
|---|--|--|
| ① | | |
|---|--|--|

| | | |
|-------|-------------|----------|
| DWN. | S. L. CHIAN | 11-24-95 |
| CHKD. | C. H. KAO | 12-18-95 |
| APPD. | Y. B. HUANG | 12-18-95 |



DWG NO.
31049U265001